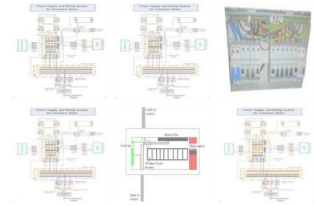
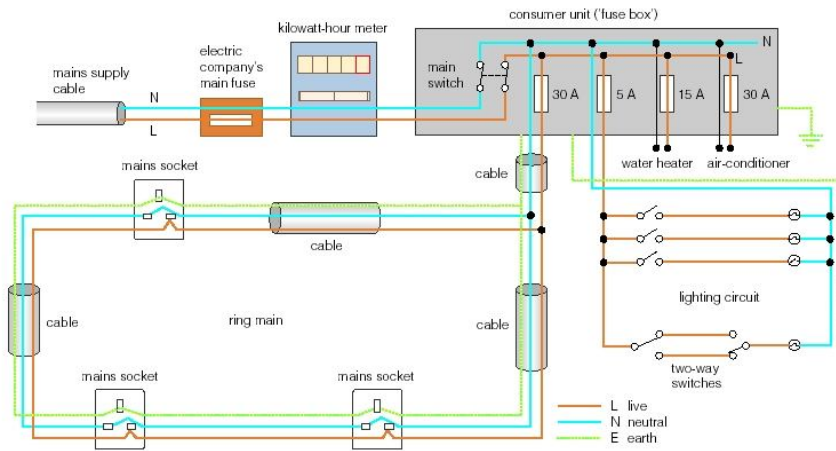




wiring system from consumer mains

Search



[« Back to results](#)

**Image details**

Mains circuit  
776 X 440 | 121.9KB jpeg